



Recognition Systems

HandNet for Windows® Version 2.0

Access Control System

Why pay for cards, card readers and control panels?

Now you can have the security and convenience of biometric access control – for the cost of a card-based system.

With HandKey® biometric readers and HandNet for Windows® software, you'll dramatically increase your security and eliminate time-wasting card administration. With HandKey readers, your hand is your card.

HandNet gives you networked access control that's easy to install, simple to use, effortless to administer, and affordable. You'll enjoy complete door monitoring in real time for multiple sites. Remote sites can be monitored via modem or Ethernet. Every HandKey unit has a built-in door controller, so you can create an access control network by simply attaching a PC.

HandNet software gives you centralized access control. The system typically runs "online," providing real-time, comprehensive door activity monitoring, remote door control, and alarms. If the computer goes off-line for any reason, the networked doors continue to operate without interruption. HandNet's user-friendly interface runs on Windows 95/98/2000/ME/NT/XP. Extensive use of wizards makes setup and system maintenance effortless.

Tens of thousands of HandKey systems are used every day in applications worldwide, ranging from health clubs and computer rooms to laboratories and stock rooms. Reliability and ease of use have established Ingersoll Rand Recognition Systems as the acknowledged global leader in biometric access control.



FEATURES & BENEFITS

- Complete door access and monitoring
- Automatic hand template management
- Real time monitoring or audit trail mode
- Easy setup and administration

New Features

Temporary users

When new users are enrolled in the system they can be assigned access to specific readers with definable time zones through an unlimited number of access profiles. HandNet 2.0 also has a start and end date for access, so temporary users like consultants or guests can be granted access for a few days, weeks or months. The system then automatically disables access rights at the end of the term. Users can be reactivated in the software so there is no need to re-enroll.

Remote Enrollment

Many installations use an enrollment reader to input new users in the system. The new Remote Enrollment feature enables a reader to be controlled from the software. So a guard behind a glass partition or a supervisor in a distant office can enroll new users without physically going to the reader.

Import / Export of users

The new import/export feature enables sharing of user information among different HandNet installations. For example, the security officer in New York can send a user's record to the office in Taipei. The office in Taipei can then add the user to their system, setting their own access restriction. When the user arrives he will be in the system and there is no need to re-enroll.

Features

Monitor over 1000 HandKey units in real time

Hard-wired communications operate via RS422, using up to 38 serial ports. Dial-up modem and Ethernet connections are also supported.

Manage over 100,000 users

Add, remove and track users from a central PC. Up to 25 user-definable text fields may be specified for each user, in addition to standard fields such as name, ID number, access profile, authority level, and rejection threshold. The user window helps you keep track of people by displaying the last reader used, with date and time of use.

Automatic hand template management

Enroll users at any HandKey in the system. Hand template data from the enrolling HandKey is automatically backed up on the PC and distributed to selected doors in the system, as specified. Dial-up remote modem locations are also updated automatically when a new user enrolls.

Complete door monitoring

HandNet provides complete door management. Among the conditions that can be monitored in real time are: door forced open, door open too long, duress, and multiple auxiliary input and output conditions. Authorized operators may override the lock condition at any door.

SYSTEM REQUIREMENTS

Computer:	Pentium 233Mhz or higher (133Mhz minimum)
Memory:	32 Mb (16 Mb minimum)
Drives:	CD Rom for installation Floppy or tape drive recommended for backup
Hard Disk:	50 Mb minimum, 10 Mb free space required
Monitor:	SVGA color, 1024 X 768 recommended (800 X 600 minimum)
Operating System:	Windows 95/98/2000/ME/NT/XP Supported
Communications:	RS422 (Ingersoll Rand Recognition Systems data converter DC-102 included) Dial-up modem Ethernet
Note:	RS485 2-wire configuration cannot be used with HandNet for Windows without DC-103 intelligent data converter

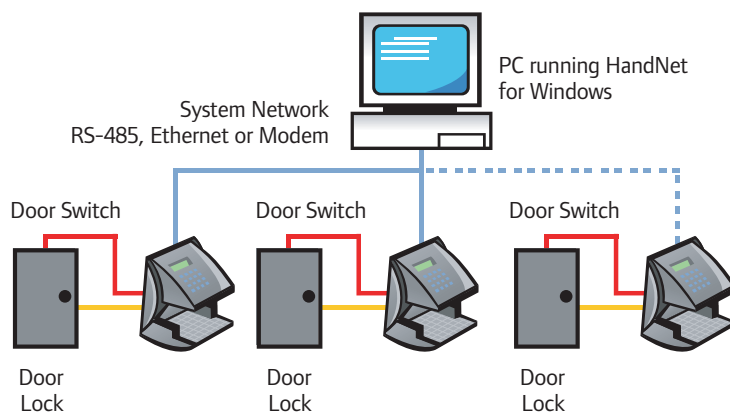
Features (Continued)

No dedicated PC required

HandNet can run in the background while other tasks are performed on the PC. When an alarm condition occurs, the user is notified immediately. If only an audit trail is required, the PC need not be always turned on, because each HandKey can buffer over 3000 transactions.

Monitor multiple remote sites

HandNet allows you to dial up multiple remote sites automatically, following a user-definable schedule. Assigning a name to each reader and site allows instant identification of the location of each HandKey



ATR Systems, Inc.

2049 Stout Drive, Suite A-1
Warminster, PA 18974

Tel 215.443.8720 Fax 215.443.8709
info@HandPunch.com
www.HandPunch.com